

LARYNGOTEC® PRO KOMBI / LARYNGOTEC® PRO KOMBI LINGO

REF 14922



REF 14722



KOMPI



LINGO



MRT

- ▶ Tracheostomy tube for long-term use, can be used up to 3-6 months
- ▶ The proximal cone optimally seals the tracheostoma in combination with a cannula support strap
- ▶ Medical grade silicone: soft, pliable, lightweight
- ▶ Transparent, inconspicuous design
- ▶ The ergonomically designed cannula shield offers a pleasing wearing comfort
- ▶ With 22 mm adapter (KOMBI)
- ▶ The cannula is available in the sizes: 8,9,10 and 12 and in two lengths (36 mm / 55 mm)
- ▶ The size designation is printed on the distal cone of the 22 mm KOMBI connector. This means that it is not necessary to remove a filter cassette from the cannula to identify the size used.
- ▶ With (LARYNGOTEC® PRO KOMBI LINGO) or without (LARYNGOTEC® PRO KOMBI) sieve fenestration
- ▶ Can be tailor-made to customer requirements (length, sieve, window) in consultation with our sales representatives

SCOPE OF DELIVERY

- ▶ Including tube holder and a product ID card
- ▶ Manual

LARYNGOTEC® PRO KOMBI

1 x Tracheostomy tube
Size 8-10, 12 **REF 14922**

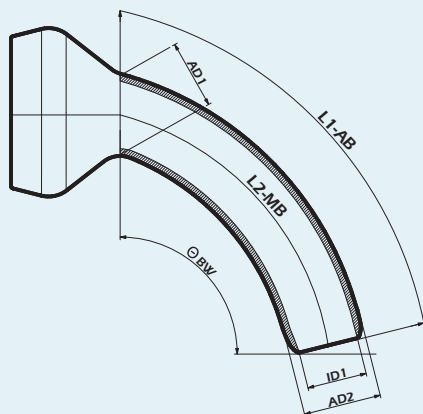
or

LARYNGOTEC® PRO KOMBI LINGO

1 x Tracheostomy tube with sieve-fenestration
Size 8-10, 12 **REF 14722**

When ordering, please state the size after the item number!

TECHNICAL DRAWING



CE 0482

Size	AD1 Flange	AD2 Tip	ID1 AK	L1 AB	L2 MB	Ø BW	REF PRO KOMBI	REF PRO KOMBI LINGO
08	12.0	12.0	9.5	42.0	36.0	54°	14922-0836	14722-0836
08	12.0	12.0	9.5	65.5	55.0	74°	14922-0855	14722-0855
09	13.5	13.5	10.5	42.0	36.0	54°	14922-0936	14722-0936
09	13.5	13.5	10.5	65.5	55.0	74°	14922-0955	14722-0955
10	15.0	15.0	12.0	42.0	36.0	54°	14922-1036	14722-1036
10	15.0	15.0	12.0	65.5	55.0	74°	14922-1055	14722-1055
12	17.0	17.0	13.5	42.0	36.0	54°	14922-1236	14722-1236
12	17.0	17.0	13.5	65.5	55.0	74°	14922-1255	14722-1255

All lengths in mm | AD1 = Outer diameter at the neck flange | AD2 = Outer diameter at cannula tip | ID1 = Inner diameter at the cannula tip of the outer cannula | ID2 = Inner diameter at the cannula tip of the inner cannula | L1 AB = Length over the outer curve | L2 MB = Length over the middle curve | Ø-CD = CUFF diameter | Ø-BW = Bending angle | IC = Inner cannula | AK = Outer cannula

PIKTOGRAMME



UNI

DE
EN
FR
NL
ES
SV

Außenkanüle 15 mm-Konnektor (UNI)

Outer cannula including 15 mm-connector (UNI)
 Canule externe avec connecteur 15 mm (UNI)
 Buitencanule inclusief 15 mm-connector (UNI)
 Cánula externa con conector de 15 mm (UNI)
 Ytterkanyl inklusive 15 mm anslutning (UNI)



VARIO

DE
EN
FR
NL
ES
SV

Außenkanüle 15 mm-Drehkonnektor (VARIO)

Outer cannula including 15 mm-swivel connector (VARIO)
 Canule externe avec connecteur rotatif 15 mm (VARIO)
 Buitencanule inclusief 15 mm-swivel-connector (VARIO)
 Cánula externa con conector rotatorio de 15 mm (VARIO)
 Ytterkanyl inklusive 15 mm vridanslutning (VARIO)



KOMBI

DE
EN
FR
NL
ES
SV

Innenkanüle mit 22 mm-Konnektor (KOMBI)

Inner cannula with 22 mm-connector (KOMBI)
 Canule interne avec connecteur 22 mm (KOMBI)
 Binnencanule met 22 mm-connector (KOMBI)
 Cánula interna con conector de 22 mm (KOMBI)
 Innerkanyl med 22 mm anslutning (KOMBI)



LINGO

DE
EN
FR
NL
ES
SV

Siebung (LINGO)

Fenestration (LINGO)
 Perforations (LINGO)
 Zeving (LINGO)
 Perforación (LINGO)
 Filtrering (LINGO)

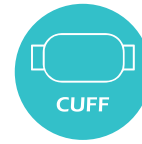


PHON

DE
EN
FR
NL
ES
SV

Sprechventil (PHON)

Speaking valve (PHON)
 Valve de phonation (PHON)
 Spreekventiel (PHON)
 Válvula fonatoria (PHON)
 Talventil (PHON)



CUFF

DE
EN
FR
NL
ES
SV

Mit CUFF

With CUFF
 Avec ballonnet (CUFF)
 Met CUFF
 Con balón (CUFF)
 Med CUFF



SUCTION

DE
EN
FR
NL
ES
SV

Mit Absaugvorrichtung (SUCTION)

With suction line (SUCTION)
 Avec dispositif d'aspiration (SUCTION)
 Met afzuigkanaal (SUCTION) voor subglottisch afzuigen van secreet boven de cuff
 Con linea de succión (SUCTION)
 Med sugslang (SUCTION)

O₂

DE
EN
FR
NL
ES
SV

Mit einem O₂-Anschluss

With oxygen support
 Avec raccord O₂
 Met zuurstofaansluiting (O₂-support)
 Con puerto de oxígeno
 Med O₂-anslutning



MRT

DE
EN
FR
NL
ES
SV

MRT geeignet

MRT suitable
 IRM-compatible
 Geschikt voor MRT
 Compatible con resonancia Magnética
 MR-kompatibel