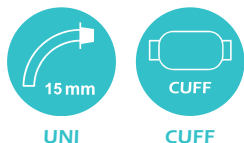


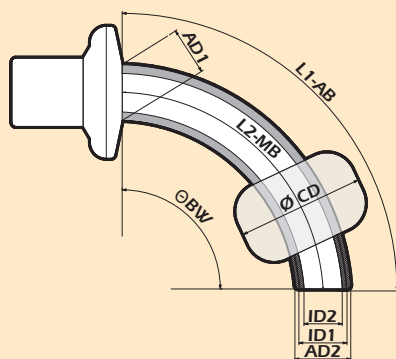
SPIRAFLEX® SHORT UNI CUFF

sterile

REF 17507



TECHNICAL DRAWING



CE 0482

- ▶ Short tracheostomy tube with CUFF for spiral reinforcement for long-term care
- ▶ Flexible tracheostomy tube with an integrated metal spiral to retain the shape
- ▶ Includes two flexible inner cannulas (ICX) to facilitate easy tube cleaning and care
- ▶ The flexibility of the outer cannula is not impaired by the use of the inner cannulas
- ▶ Thermoflexible material which softens at body temperature
- ▶ 15 mm connector and a cough protection cap are included as separate items; to be attached to the outer cannula alone, or to the combined inner/outer cannula set by twist lock security mechanism
- ▶ Inner cannula (ICX) also available separately (REF 17516), size to be selected according to the size of the SPIRAFLEX® SHORT outer cannula

SCOPE OF DELIVERY

- ▶ Cough cap
- ▶ Including tube holder, obturator and a product ID card
- ▶ Instruction for use

SPIRAFLEX® SHORT UNI CUFF 2 ICX REF 17507

1 x Tracheostomy tube with CUFF
 2 x Flexibel inner cannulas (ICX)
 1 x 15 mm connector (UNI)

When ordering, please state the size after the item number!

Optional accessories:

SPIRAFLEX® SHORT ICX REF 17516
 Inner cannula, size 6-11, pack of 10

SPIRAFLEX® SHORT SOLO-ADAPTER UNI REF 17541

Size	AD1 Flange	AD2 Tip	ID1 AK	ID2 IC	L1 AB adjustable to	L2 MB	Ø BW	Ø CD	REF
06	9,4	9,4	6,0	4,5	75,0	61,0	95°-110°	20,0	17507-06
07	10,4	10,4	7,0	5,5	81,0	67,0	95°-110°	22,0	17507-07
08	11,4	11,4	8,0	6,5	91,0	77,0	95°-110°	24,0	17507-08
09	12,4	12,4	9,0	7,5	91,0	77,0	95°-110°	25,0	17507-09
10	13,4	13,4	10,0	8,5	102,0	88,0	95°-110°	26,0	17507-10
11	14,4	14,4	11,0	9,5	102,0	88,0	95°-110°	28,0	17507-11

All lengths in mm | AD1 = Outer diameter at the neck flange | AD2 = Outer diameter at cannula tip | ID1 = Inner diameter at the cannula tip of the outer cannula | ID2 = Inner diameter at the cannula tip of the inner cannula | L1 AB = Length over the outer curve | L2 MB = Length over the middle curve | Ø-CD = CUFF diameter | Ø-BW = Bending angle | IC = Inner cannula | AK = Outer cannula

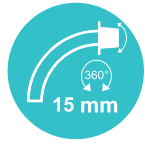
PIKTOGRAMME



UNI

DE
EN
FR
NL
ES
SV

Außenkanüle 15 mm-Konnektor (UNI)
 Outer cannula including 15 mm-connector (UNI)
 Canule externe avec connecteur 15 mm (UNI)
 Buitencanule inclusief 15 mm-connector (UNI)
 Cánula externa con conector de 15 mm (UNI)
 Ytterkanyl inklusive 15 mm anslutning (UNI)



VARIO

DE
EN
FR
NL
ES
SV

Außenkanüle 15 mm-Drehkonnektor (VARIO)
 Outer cannula including 15 mm-swivel connector (VARIO)
 Canule externe avec connecteur rotatif 15 mm (VARIO)
 Buitencanule inclusief 15 mm-swivel-connector (VARIO)
 Cánula externa con conector rotatorio de 15 mm (VARIO)
 Ytterkanyl inklusive 15 mm vridanslutning (VARIO)



KOMBI

DE
EN
FR
NL
ES
SV

Innenkanüle mit 22 mm-Konnektor (KOMBI)
 Inner cannula with 22 mm-connector (KOMBI)
 Canule interne avec connecteur 22 mm (KOMBI)
 Binnencanule met 22 mm-connector (KOMBI)
 Cánula interna con conector de 22 mm (KOMBI)
 Innerkanyl med 22 mm anslutning (KOMBI)



LINGO

DE
EN
FR
NL
ES
SV

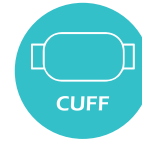
Siebung (LINGO)
 Fenestration (LINGO)
 Perforations (LINGO)
 Zeving (LINGO)
 Perforación (LINGO)
 Filtrering (LINGO)



PHON

DE
EN
FR
NL
ES
SV

Sprechventil (PHON)
 Speaking valve (PHON)
 Valve de phonation (PHON)
 Spreekventiel (PHON)
 Válvula fonatoria (PHON)
 Talventil (PHON)



CUFF

DE
EN
FR
NL
ES
SV

Mit CUFF
 With CUFF
 Avec ballonnet (CUFF)
 Met CUFF
 Con balón (CUFF)
 Med CUFF



SUCTION

DE
EN
FR
NL
ES
SV

Mit Absaugvorrichtung (SUCTION)
 With suction line (SUCTION)
 Avec dispositif d'aspiration (SUCTION)
 Met afzuigkanaal (SUCTION) voor subglottisch afzuigen van secreet boven de cuff
 Con línea de succión (SUCTION)
 Med sugslang (SUCTION)



O₂

DE
EN
FR
NL
ES
SV

Mit einem O₂-Anschluss
 With oxygen support
 Avec raccord O₂
 Met zuurstofaansluiting (O₂-support)
 Con puerto de oxígeno
 Med O₂-anslutning



MRT

DE
EN
FR
NL
ES
SV

MRT geeignet
 MRT suitable
 IRM-compatible
 Geschikt voor MRT
 Compatible con resonancia Magnética
 MR-kompatibel