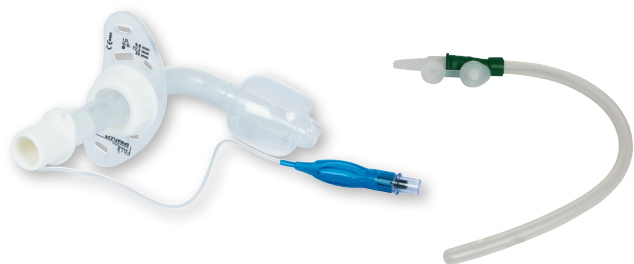


## SPIRAFLEX® MRT UNI CUFF

sterile

REF 17520



REF 17543



UNI

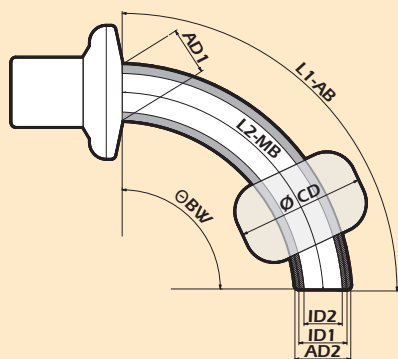


CUFF



MRT

## TECHNICAL DRAWING



CE 0482

- ▶ Tracheostomy tube with CUFF, an adjustable neck flange and plastic spiral reinforcement thereby combining a high degree of flexibility with tube shaft stability
- ▶ The plastic spiral allows use in MRT
- ▶ Vertically adjustable neck flange allows length adjustment from 52 mm up to 123 mm
- ▶ Reliable screw adjustment of the neck flange to avoid inadvertent sliding and dislocation of the neck flange
- ▶ A scale (5-mm increments) on the dorsal part of the tube allows exact and reproducible adjustment of the neck-flange
- ▶ With 15 mm connector (UNI) to connect to ventilation equipment or HMEs
- ▶ In addition to provide an atraumatic insertion of the tube the obturator allows suctioning of secretions. A hose connector with fingertip allows the connection of the suction line of a suction unit
- ▶ Inner cannula ICX (REF 17543) is available separately; size to be selected according to the size of the outer cannula

## SCOPE OF DELIVERY

- ▶ Including tube holder, obturator and a product ID card
- ▶ Instruction for use

**SPIRAFLEX® MRT UNI CUFF** REF 17520

1 x Tracheostomy tube with CUFF

When ordering, please state the size after the item number!

Optional accessories:

**SPIRAFLEX® ICX** REF 17543

Inner cannula, size 6-11, pack of 10

Size	AD1 Flange	AD2 Tip	ID1 AK	ID2 IC	L1 AB adjustable to	L2 MB	Θ BW	Ø CD	REF MRT UNI CUFF
<b>06</b>	8,4	8,4	6,0	4,5	60,0	52,0	80°-110°	20,0	<b>17520-06</b>
<b>07</b>	10,2	10,2	7,0	5,5	80,0	68,0	80°-110°	22,0	<b>17520-07</b>
<b>08</b>	11,2	11,2	8,0	6,5	100,0	88,0	80°-110°	24,0	<b>17520-08</b>
<b>09</b>	12,2	12,2	9,0	7,5	130,0	117,0	80°-110°	25,0	<b>17520-09</b>
<b>10</b>	13,2	13,2	10,0	8,5	135,0	118,0	80°-110°	26,0	<b>17520-10</b>
<b>11</b>	14,2	14,2	11,0	9,5	140,0	123,0	80°-110°	26,0	<b>17520-11</b>

All lengths in mm | AD1 = Outer diameter at the neck flange | AD2 = Outer diameter at cannula tip | ID1 = Inner diameter at the cannula tip of the outer cannula | ID2 = Inner diameter at the cannula tip of the inner cannula | L1 AB = Length over the outer curve | L2 MB = Length over the middle curve | Ø-CD = CUFF diameter | Θ-BW = Bending angle | IC = Inner cannula | AK = Outer cannula

# PIKTOGRAMME



UNI

DE
EN
FR
NL
ES
SV

**Außenkanüle 15 mm-Konnektor (UNI)**

Outer cannula including 15 mm-connector (UNI)  
 Canule externe avec connecteur 15 mm (UNI)  
 Buitencanule inclusief 15 mm-connector (UNI)  
 Cánula externa con conector de 15 mm (UNI)  
 Ytterkanyl inklusive 15 mm anslutning (UNI)



VARIO

DE
EN
FR
NL
ES
SV

**Außenkanüle 15 mm-Drehkonnektor (VARIO)**

Outer cannula including 15 mm-swivel connector (VARIO)  
 Canule externe avec connecteur rotatif 15 mm (VARIO)  
 Buitencanule inclusief 15 mm-swivel-connector (VARIO)  
 Cánula externa con conector rotatorio de 15 mm (VARIO)  
 Ytterkanyl inklusive 15 mm vridanslutning (VARIO)



KOMBI

DE
EN
FR
NL
ES
SV

**Innenkanüle mit 22 mm-Konnektor (KOMBI)**

Inner cannula with 22 mm-connector (KOMBI)  
 Canule interne avec connecteur 22 mm (KOMBI)  
 Binnencanule met 22 mm-connector (KOMBI)  
 Cánula interna con conector de 22 mm (KOMBI)  
 Innerkanyl med 22 mm anslutning (KOMBI)



LINGO

DE
EN
FR
NL
ES
SV

**Siebung (LINGO)**

Fenestration (LINGO)  
 Perforations (LINGO)  
 Zeving (LINGO)  
 Perforación (LINGO)  
 Filtrering (LINGO)

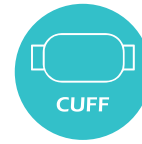


PHON

DE
EN
FR
NL
ES
SV

**Sprechventil (PHON)**

Speaking valve (PHON)  
 Valve de phonation (PHON)  
 Spreekventiel (PHON)  
 Válvula fonatoria (PHON)  
 Talventil (PHON)



CUFF

DE
EN
FR
NL
ES
SV

**Mit CUFF**

With CUFF  
 Avec ballonnet (CUFF)  
 Met CUFF  
 Con balón (CUFF)  
 Med CUFF



SUCTION

DE
EN
FR
NL
ES
SV

**Mit Absaugvorrichtung (SUCTION)**

With suction line (SUCTION)  
 Avec dispositif d'aspiration (SUCTION)  
 Met afzuigkanaal (SUCTION) voor subglottisch afzuigen van secreet boven de cuff  
 Con linea de succión (SUCTION)  
 Med sugslang (SUCTION)



O<sub>2</sub>

DE
EN
FR
NL
ES
SV

**Mit einem O<sub>2</sub>-Anschluss**

With oxygen support  
 Avec raccord O<sub>2</sub>  
 Met zuurstofaansluiting (O<sub>2</sub>-support)  
 Con puerto de oxígeno  
 Med O<sub>2</sub>-anslutning



MRT

DE
EN
FR
NL
ES
SV

**MRT geeignet**

MRT suitable  
 IRM-compatible  
 Geschikt voor MRT  
 Compatible con resonancia Magnética  
 MR-kompatibel