

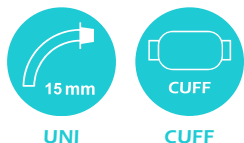
SPIRAFLEX® UNI CUFF XL

sterile

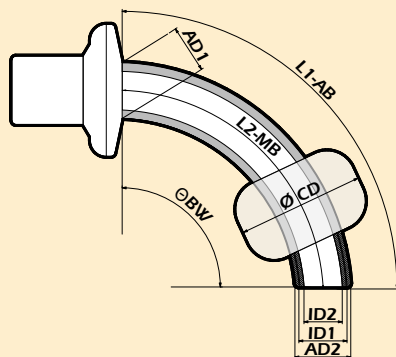
REF 17519



REF 17549



TECHNICAL DRAWING



CE 0482

- ▶ Spiral tracheostomy tube with CUFF and adjustable tube shield for individual adaptation to different tracheostoma canal lengths
- ▶ Indication: for ventilation, in case of obesity, edema and deep stenosis
- ▶ Neck-flange adjustable via reliable screw mechanism to avoid inadvertent sliding and dislocation of neck-flange
- ▶ A scale (5-mm increments) on the dorsal part of the tube allows exact and reproducible adjustment of the neck-flange
- ▶ Due to the length of tracheostomy tube (XL) without fixed bending angle, the cannula tube is individually adjustable to the neck anatomy
- ▶ With 15 mm connector (UNI) to connect to ventilation equipment or HMEs
- ▶ In addition to provide an atraumatic insertion of the tube the obturator allows suctioning of secretions. A hose connector with fingertip allows the connection of the suction line of a suction unit
- ▶ Inner cannula ICX (REF 17549) is available separately; size to be selected according to the size of the SPIRAFLEX® UNI CUFF XL outer cannula

SCOPE OF DELIVERY

- ▶ Including tube holder, obturator and a product ID card
- ▶ Instruction for use

SPIRAFLEX® UNI CUFF XL REF 17519
1 x Tracheostomy tube with CUFF

When ordering, please state the size after the item number!

Optional accessories:
SPIRAFLEX® ICX XL REF 17549
Inner cannula, size 7 - 11, pack of 10

Size	AD1 Flange	AD2 Tip	ID1 AK	ID2 IC	L1 AB adjustable to	L2 MB	Ø BW	Ø CD	REF
07	10,2	10,2	7,0	5,5	155,0	132,0	80°-110°	22,0	17519-07
08	11,2	11,2	8,0	6,5	155,0	132,0	80°-110°	24,0	17519-08
09	12,2	12,2	9,0	7,5	155,0	132,0	80°-110°	25,0	17519-09
10	13,2	13,2	10,0	8,5	155,0	132,0	80°-110°	26,0	17519-10
11	14,2	14,2	11,0	9,5	155,0	132,0	80°-110°	26,0	17519-11

All lengths in mm | AD1 = Outer diameter at the neck flange | AD2 = Outer diameter at cannula tip | ID1 = Inner diameter at the cannula tip of the outer cannula | ID2 = Inner diameter at the cannula tip of the inner cannula | L1 AB = Length over the outer curve | L2 MB = Length over the middle curve | Ø-CD = CUFF diameter | Ø-BW = Bending angle | IC = Inner cannula | AK = Outer cannula

PIKTOGRAMME



UNI

DE
EN
FR
NL
ES
SV

Außenkanüle 15 mm-Konnektor (UNI)

Outer cannula including 15 mm-connector (UNI)
 Canule externe avec connecteur 15 mm (UNI)
 Buitencanule inclusief 15 mm-connector (UNI)
 Cánula externa con conector de 15 mm (UNI)
 Ytterkanyl inklusive 15 mm anslutning (UNI)



VARIO

DE
EN
FR
NL
ES
SV

Außenkanüle 15 mm-Drehkonnektor (VARIO)

Outer cannula including 15 mm-swivel connector (VARIO)
 Canule externe avec connecteur rotatif 15 mm (VARIO)
 Buitencanule inclusief 15 mm-swivel-connector (VARIO)
 Cánula externa con conector rotatorio de 15 mm (VARIO)
 Ytterkanyl inklusive 15 mm vridanslutning (VARIO)



KOMBI

DE
EN
FR
NL
ES
SV

Innenkanüle mit 22 mm-Konnektor (KOMBI)

Inner cannula with 22 mm-connector (KOMBI)
 Canule interne avec connecteur 22 mm (KOMBI)
 Binnencanule met 22 mm-connector (KOMBI)
 Cánula interna con conector de 22 mm (KOMBI)
 Innerkanyl med 22 mm anslutning (KOMBI)



LINGO

DE
EN
FR
NL
ES
SV

Siebung (LINGO)

Fenestration (LINGO)
 Perforations (LINGO)
 Zeving (LINGO)
 Perforación (LINGO)
 Filtrering (LINGO)

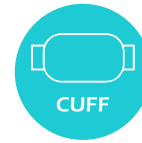


PHON

DE
EN
FR
NL
ES
SV

Sprechventil (PHON)

Speaking valve (PHON)
 Valve de phonation (PHON)
 Spreekventiel (PHON)
 Válvula fonatoria (PHON)
 Talventil (PHON)



CUFF

DE
EN
FR
NL
ES
SV

Mit CUFF

With CUFF
 Avec ballonnet (CUFF)
 Met CUFF
 Con balón (CUFF)
 Med CUFF



SUCTION

DE
EN
FR
NL
ES
SV

Mit Absaugvorrichtung (SUCTION)

With suction line (SUCTION)
 Avec dispositif d'aspiration (SUCTION)
 Met afzuigkanaal (SUCTION) voor subglottisch afzuigen van secreet boven de cuff
 Con linea de succión (SUCTION)
 Med sugslang (SUCTION)

O₂

DE
EN
FR
NL
ES
SV

Mit einem O₂-Anschluss

With oxygen support
 Avec raccord O₂
 Met zuurstofaansluiting (O₂-support)
 Con puerto de oxígeno
 Med O₂-anslutning



MRT

DE
EN
FR
NL
ES
SV

MRT geeignet

MRT suitable
 IRM-compatible
 Geschikt voor MRT
 Compatible con resonancia Magnética
 MR-kompatibel