

SPIRAFLEX® SHORT UNI LINGO-PHON

sterile

REF 17508



- ▶ Short spiral cannula with sieve fenestration (LINGO), suitable for long-term treatment
- ▶ Flexible tracheostomy tube with an integrated metal spiral to retain the shape
- ▶ Including two different flexible inner cannulas: one fenestrated (ICFX) and one non-fenestrated (ICX) for simplified care of the cannula
- ▶ The material properties of the outer tube of the cannula are retained by the flexible inner cannulas
- ▶ They are made of thermosensitive medical synthetic materials that develop optimal product properties at body temperature
- ▶ SPIRAFLEX® SHORT has a very soft, anatomically shaped neck flange to prevent the cannula placing pressure on the skin
- ▶ Both inner cannulas ICX (REF 17516) and ICFX (REF 17517) are also available separately; size to be selected according to the size of the SPIRAFLEX® SHORT outer cannula

SCOPE OF DELIVERY

- ▶ Cough cap, sealing cap
- ▶ Including tube holder, obturator and a product ID card
- ▶ Instruction for use

SPIRAFLEX® SHORT UNI LINGO-PHON
1 ICX + 1 ICFX + SV REF 17508
 1 x Tracheostomy tube, with sieve-fenestration (LINGO)
 1 x Flexible inner cannula (ICX)
 1 x Flexible inner cannula, fenestrated (ICFX)
 1 x Speaking Valve (SV)
 1 x 15 mm connector (UNI)

When ordering, please state the size after the item number!

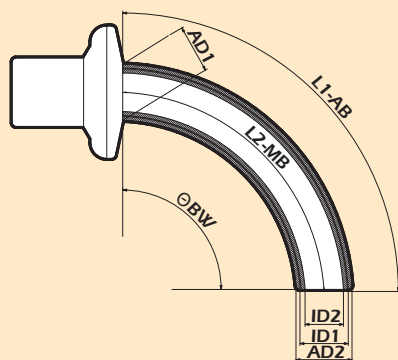
Optional accessories:
SPIRAFLEX® SHORT ICX REF 17516
 Inner cannula, size 6-11, pack of 10

SPIRAFLEX® SHORT ICFX REF 17517
 Inner cannula, size 6-11, pack of 10

SPIRAFLEX® SHORT SOLO-ADAPTER UNI REF 17541

SPIRAFLEX® SHORT SOLO-ADAPTER PHON REF 17542

TECHNICAL DRAWING



CE 0482

Size	AD1 Flange	AD2 Tip	ID1 AK	ID2 IC	L1 AB adjustable to	L2 MB	Θ BW	REF
06	9,4	9,4	6,0	4,5	75,0	61,0	95°-110°	17508-06
07	10,4	10,4	7,0	5,5	81,0	67,0	95°-110°	17508-07
08	11,4	11,4	8,0	6,5	91,0	77,0	95°-110°	17508-08
09	12,4	12,4	9,0	7,5	91,0	77,0	95°-110°	17508-09
10	13,4	13,4	10,0	8,5	102,0	88,0	95°-110°	17508-10
11	14,4	14,4	11,0	9,5	102,0	88,0	95°-110°	17508-11

All lengths in mm | AD1 = Outer diameter at the neck flange | AD2 = Outer diameter at cannula tip | ID1 = Inner diameter at the cannula tip of the outer cannula | ID2 = Inner diameter at the cannula tip of the inner cannula | L1 AB = Length over the outer curve | L2 MB = Length over the middle curve | Ø-CD = CUFF diameter | Θ-BW = Bending angle | IC = Inner cannula | AK = Outer cannula

PIKTOGRAMME



UNI

DE
EN
FR
NL
ES
SV

Außenkanüle 15 mm-Konnektor (UNI)
 Outer cannula including 15 mm-connector (UNI)
 Canule externe avec connecteur 15 mm (UNI)
 Buitencanule inclusief 15 mm-connector (UNI)
 Cánula externa con conector de 15 mm (UNI)
 Ytterkanyl inklusive 15 mm anslutning (UNI)



VARIO

DE
EN
FR
NL
ES
SV

Außenkanüle 15 mm-Drehkonnektor (VARIO)
 Outer cannula including 15 mm-swivel connector (VARIO)
 Canule externe avec connecteur rotatif 15 mm (VARIO)
 Buitencanule inclusief 15 mm-swivel-connector (VARIO)
 Cánula externa con conector rotatorio de 15 mm (VARIO)
 Ytterkanyl inklusive 15 mm vridanslutning (VARIO)



KOMBI

DE
EN
FR
NL
ES
SV

Innenkanüle mit 22 mm-Konnektor (KOMBI)
 Inner cannula with 22 mm-connector (KOMBI)
 Canule interne avec connecteur 22 mm (KOMBI)
 Binnencanule met 22 mm-connector (KOMBI)
 Cánula interna con conector de 22 mm (KOMBI)
 Innerkanyl med 22 mm anslutning (KOMBI)



LINGO

DE
EN
FR
NL
ES
SV

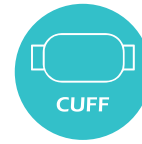
Siebung (LINGO)
 Fenestration (LINGO)
 Perforations (LINGO)
 Zeving (LINGO)
 Perforación (LINGO)
 Filtrering (LINGO)



PHON

DE
EN
FR
NL
ES
SV

Sprechventil (PHON)
 Speaking valve (PHON)
 Valve de phonation (PHON)
 Spreekventiel (PHON)
 Válvula fonatoria (PHON)
 Talventil (PHON)



CUFF

DE
EN
FR
NL
ES
SV

Mit CUFF
 With CUFF
 Avec ballonnet (CUFF)
 Met CUFF
 Con balón (CUFF)
 Med CUFF



SUCTION

DE
EN
FR
NL
ES
SV

Mit Absaugvorrichtung (SUCTION)
 With suction line (SUCTION)
 Avec dispositif d'aspiration (SUCTION)
 Met afzuigkanaal (SUCTION) voor subglottisch afzuigen van secreet boven de cuff
 Con linea de succión (SUCTION)
 Med sugslang (SUCTION)



O₂

DE
EN
FR
NL
ES
SV

Mit einem O₂-Anschluss
 With oxygen support
 Avec raccord O₂
 Met zuurstofaansluiting (O₂-support)
 Con puerto de oxígeno
 Med O₂-anslutning



MRT

DE
EN
FR
NL
ES
SV

MRT geeignet
 MRT suitable
 IRM-compatible
 Geschikt voor MRT
 Compatible con resonancia Magnética
 MR-kompatibel