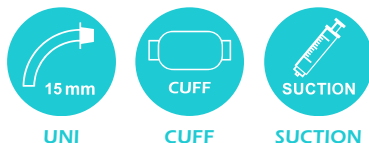


SPIRAFLEX® UNI CUFF SUCTION

sterile

REF 17523



- ▶ Short spiral tracheostomy tube with adjustable cannula shield, with CUFF and integrated suction tube (SUCTION) to remove secretion above the cuff by means of a vacuum pump or syringe
- ▶ The cannula shield can be adjusted and fixed by means of a reliable screw mechanism, for individual adaptation to different distal and proximal branches of the tracheostomy tube lengths
- ▶ Graduation (in 5 mm steps) at the top of the cannula tube allows exact and reproducible positioning of the cannula shield
- ▶ With 15 mm connector (UNI) to connect ventilation equipment or HMEs
- ▶ The insertion aid can also be used to absorb secretion fluids. With a tube connector/Fingertip for connection to the suction device's suction tube
- ▶ An inner cannula is also available separately for the tracheostomy tube (REF 17543). The size must be selected according to the SPIRAFLEX® UNI CUFF SUCTION outer cannula

SCOPE OF DELIVERY

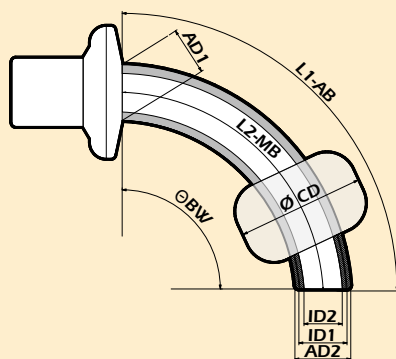
- ▶ Including tube holder, obturator and a product ID card
- ▶ Disposable syringe
- ▶ Instruction of use

SPIRAFLEX® UNI CUFF SUCTION REF 17523
1 x Tracheostomy tube with CUFF

When ordering, please state the size after the item number!

Optional accessories:
SPIRAFLEX® ICX REF 17543
Inner cannula, size 6-11, pack of 10

TECHNICAL DRAWING



Size	AD1 Flange	AD2 Tip	ID1 AK	ID2 IC	L1 AB adjustable to	L2 MB	Ø BW	Ø CD	REF UNI CUFF
07	10,2	10,2	7,0	5,5	80,0	68,0	80°-110°	22,0	17523-07
08	11,2	11,2	8,0	6,5	100,0	88,0	80°-110°	24,0	17523-08
09	12,2	12,2	9,0	7,5	130,0	117,0	80°-110°	25,0	17523-09
10	13,2	13,2	10,0	8,5	135,0	118,0	80°-110°	26,0	17523-10

CE 0482

All lengths in mm | AD1 = Outer diameter at the neck flange | AD2 = Outer diameter at cannula tip | ID1 = Inner diameter at the cannula tip of the outer cannula | ID2 = Inner diameter at the tip of the inner cannula | L1 AB = Length over the outer curve | L2 MB = Length over the middle curve | Ø-CD = CUFF diameter | Ø-BW= Bending angle | IC = Inner cannula | AK = Outer cannula

PIKTOGRAMME



UNI

DE
EN
FR
NL
ES
SV

Außenkanüle 15 mm-Konnektor (UNI)
 Outer cannula including 15 mm-connector (UNI)
 Canule externe avec connecteur 15 mm (UNI)
 Buitencanule inclusief 15 mm-connector (UNI)
 Cánula externa con conector de 15 mm (UNI)
 Ytterkanyl inklusive 15 mm anslutning (UNI)



VARIO

DE
EN
FR
NL
ES
SV

Außenkanüle 15 mm-Drehkonnektor (VARIO)
 Outer cannula including 15 mm-swivel connector (VARIO)
 Canule externe avec connecteur rotatif 15 mm (VARIO)
 Buitencanule inclusief 15 mm-swivel-connector (VARIO)
 Cánula externa con conector rotatorio de 15 mm (VARIO)
 Ytterkanyl inklusive 15 mm vridanslutning (VARIO)



KOMBI

DE
EN
FR
NL
ES
SV

Innenkanüle mit 22 mm-Konnektor (KOMBI)
 Inner cannula with 22 mm-connector (KOMBI)
 Canule interne avec connecteur 22 mm (KOMBI)
 Binnencanule met 22 mm-connector (KOMBI)
 Cánula interna con conector de 22 mm (KOMBI)
 Innerkanyl med 22 mm anslutning (KOMBI)



LINGO

DE
EN
FR
NL
ES
SV

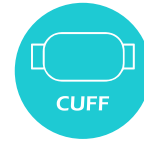
Siebung (LINGO)
 Fenestration (LINGO)
 Perforations (LINGO)
 Zeving (LINGO)
 Perforación (LINGO)
 Filtrering (LINGO)



PHON

DE
EN
FR
NL
ES
SV

Sprechventil (PHON)
 Speaking valve (PHON)
 Valve de phonation (PHON)
 Spreekventiel (PHON)
 Válvula fonatoria (PHON)
 Talventil (PHON)



CUFF

DE
EN
FR
NL
ES
SV

Mit CUFF
 With CUFF
 Avec ballonnet (CUFF)
 Met CUFF
 Con balón (CUFF)
 Med CUFF



SUCTION

DE
EN
FR
NL
ES
SV

Mit Absaugvorrichtung (SUCTION)
 With suction line (SUCTION)
 Avec dispositif d'aspiration (SUCTION)
 Met afzuigkanaal (SUCTION) voor subglottisch afzuigen van secreet boven de cuff
 Con línea de succión (SUCTION)
 Med sugslang (SUCTION)



O₂

DE
EN
FR
NL
ES
SV

Mit einem O₂-Anschluss
 With oxygen support
 Avec raccord O₂
 Met zuurstofaansluiting (O₂-support)
 Con puerto de oxígeno
 Med O₂-anslutning



MRT

DE
EN
FR
NL
ES
SV

MRT geeignet
 MRT suitable
 IRM-compatible
 Geschikt voor MRT
 Compatible con resonancia Magnética
 MR-kompatibel