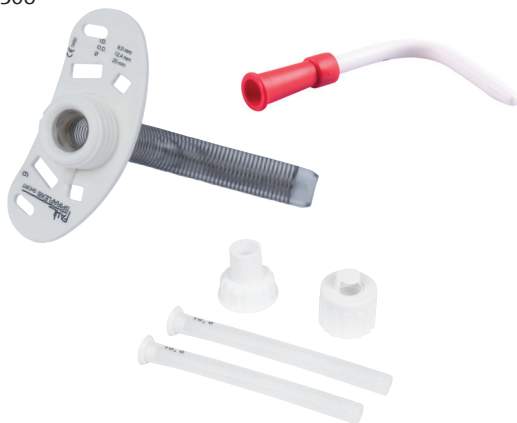


## SPIRAFLEX® SHORT UNI

sterile

REF 17506



- ▶ Short tracheostomy tube with spiral reinforcement for long-term care
- ▶ Flexible tracheostomy tube with an integrated metal spiral to retain the shape
- ▶ Includes two flexible inner cannulas (ICX) to facilitate easy tube cleaning and care
- ▶ The flexibility of the outer cannula is not impaired by the use of the inner cannulas
- ▶ Thermoflexible material which softens at body temperature
- ▶ 15 mm connector and cough protection cap are included as separate items; to be attached to the outer cannula alone, or to the combined inner/outer cannula set by twist lock security mechanism
- ▶ Inner cannula (ICX) also available separately (REF 17516), size to be selected according to the size of the SPIRAFLEX® SHORT outer cannula

## SCOPE OF DELIVERY

- ▶ Cough cap
- ▶ Including tube holder, obturator and a product ID card
- ▶ Instruction for use

**SPIRAFLEX® SHORT UNI 2 ICX REF 17506**

1 x Tracheostomy tube  
2 x Flexible inner cannulas (ICX)  
1 x 15 mm connector (UNI)

When ordering, please state the size after the item number!

Optional accessories:

**SPIRAFLEX® SHORT ICX REF 17516**

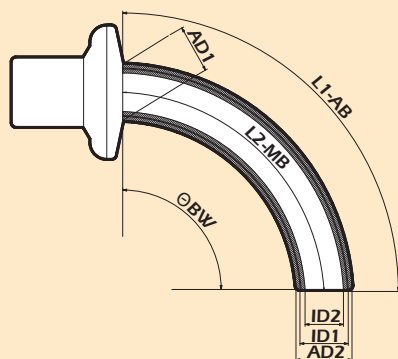
Inner cannula, size 6-11, pack of 10

**SPIRAFLEX® SHORT SOLO-ADAPTER UNI REF 17541**

15 mm

UNI

## TECHNICAL DRAWING



CE 0482

Size	AD1 Flange	AD2 Tip	ID1 AK	ID2 IC	L1 AB adjustable to	L2 MB	Ø BW	REF
06	9,4	9,4	6,0	4,5	75,0	61,0	95°-110°	17506-06
07	10,4	10,4	7,0	5,5	81,0	67,0	95°-110°	17506-07
08	11,4	11,4	8,0	6,5	91,0	77,0	95°-110°	17506-08
09	12,4	12,4	9,0	7,5	91,0	77,0	95°-110°	17506-09
10	13,4	13,4	10,0	8,5	102,0	88,0	95°-110°	17506-10
11	14,4	14,4	11,0	9,5	102,0	88,0	95°-110°	17506-11

All lengths in mm | AD1 = Outer diameter at the neck flange | AD2 = Outer diameter at cannula tip | ID1 = Inner diameter at the cannula tip of the outer cannula | ID2 = Inner diameter at the tip of the inner cannula | L1 AB = Length over the outer curve | L2 MB = Length over the middle curve | Ø-CD = CUFF diameter | Ø-BW = Bending angle | IC = Inner cannula | AK = Outer cannula

## PIKTOGRAMME



UNI

DE
EN
FR
NL
ES
SV

**Außenkanüle 15 mm-Konnektor (UNI)**

Outer cannula including 15 mm-connector (UNI)  
 Canule externe avec connecteur 15 mm (UNI)  
 Buitencanule inclusief 15 mm-connector (UNI)  
 Cánula externa con conector de 15 mm (UNI)  
 Ytterkanyl inklusive 15 mm anslutning (UNI)



VARIO

DE
EN
FR
NL
ES
SV

**Außenkanüle 15 mm-Drehkonnektor (VARIO)**

Outer cannula including 15 mm-swivel connector (VARIO)  
 Canule externe avec connecteur rotatif 15 mm (VARIO)  
 Buitencanule inclusief 15 mm-swivel-connector (VARIO)  
 Cánula externa con conector rotatorio de 15 mm (VARIO)  
 Ytterkanyl inklusive 15 mm vridanslutning (VARIO)



KOMBI

DE
EN
FR
NL
ES
SV

**Innenkanüle mit 22 mm-Konnektor (KOMBI)**

Inner cannula with 22 mm-connector (KOMBI)  
 Canule interne avec connecteur 22 mm (KOMBI)  
 Binnencanule met 22 mm-connector (KOMBI)  
 Cánula interna con conector de 22 mm (KOMBI)  
 Innerkanyl med 22 mm anslutning (KOMBI)



LINGO

DE
EN
FR
NL
ES
SV

**Siebung (LINGO)**

Fenestration (LINGO)  
 Perforations (LINGO)  
 Zeving (LINGO)  
 Perforación (LINGO)  
 Filtrering (LINGO)

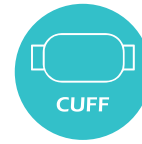


PHON

DE
EN
FR
NL
ES
SV

**Sprechventil (PHON)**

Speaking valve (PHON)  
 Valve de phonation (PHON)  
 Spreekventiel (PHON)  
 Válvula fonatoria (PHON)  
 Talventil (PHON)



CUFF

DE
EN
FR
NL
ES
SV

**Mit CUFF**

With CUFF  
 Avec ballonnet (CUFF)  
 Met CUFF  
 Con balón (CUFF)  
 Med CUFF



SUCTION

DE
EN
FR
NL
ES
SV

**Mit Absaugvorrichtung (SUCTION)**

With suction line (SUCTION)  
 Avec dispositif d'aspiration (SUCTION)  
 Met afzuigkanaal (SUCTION) voor subglottisch afzuigen van secreet boven de cuff  
 Con linea de succión (SUCTION)  
 Med sugslang (SUCTION)

O<sub>2</sub>

DE
EN
FR
NL
ES
SV

**Mit einem O<sub>2</sub>-Anschluss**

With oxygen support  
 Avec raccord O<sub>2</sub>  
 Met zuurstofaansluiting (O<sub>2</sub>-support)  
 Con puerto de oxígeno  
 Med O<sub>2</sub>-anslutning



MRT

DE
EN
FR
NL
ES
SV

**MRT geeignet**

MRT suitable  
 IRM-compatible  
 Geschikt voor MRT  
 Compatible con resonancia Magnética  
 MR-kompatibel