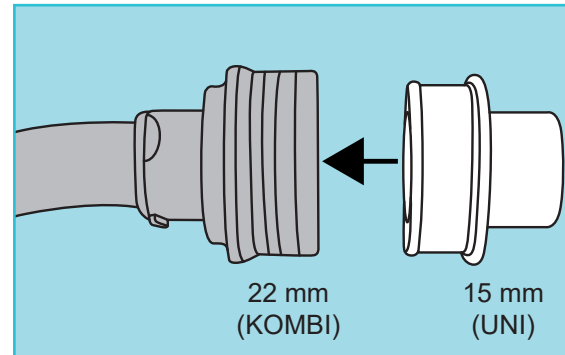
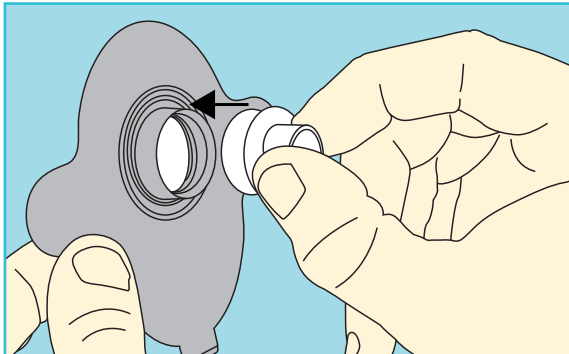


LARYVOX® CONNECT

von 22 mm > 15 mm

- ▶ Enables attachment of special aids with a standard 15 mm-connector (UNI) to a base plate (e.g. LARYVOX® Tape) or a KOMBI tracheostomy tube with a 22 mm-connector (e.g. LARYNGOTEC® KOMBI)
- ▶ This enables the use of, for example, HMEs with a 15 mm-connector, even if a tracheostomy tube or base plate with KOMBI attachment (22 mm) is used



Single patient use



Consult instructions for use



CE marking

Order information:

LARYVOX® Connect, pack of 1

REF 48915