

LARYNGOTEC® KOMBI CLIP/ LARYNGOTEC® KOMBI CLIP LINGO

sterile

REF 14830



REF 14820



22 mm

KOMBI



LINGO

LINGO



MRT

MRT

- ▶ Tracheostomy tube for long-term use, can be used up to 3-6 months
- ▶ Medical grade silicone: soft, pliable, lightweight
- ▶ Bulging ring/Clip behind the 22 mm adapter allows connection to adhesive base plates
- ▶ Transparent, inconspicuous design
- ▶ With 22 mm adapter (KOMBI) to connect HMEs
- ▶ Each size in different lengths
- ▶ With (LARYNGOTEC® KOMBI CLIP LINGO, REF 14820) or without (LARYNGOTEC® KOMBI CLIP, REF 14830) sieve-fenestration
- ▶ Custom-made sieve-fenestration possible

SCOPE OF DELIVERY

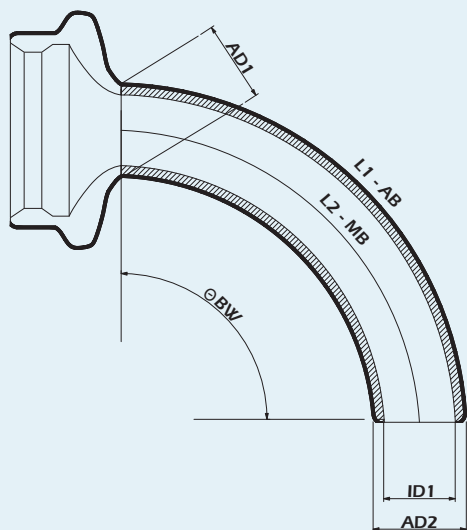
- ▶ Including product ID card
- ▶ Manual

LARYNGOTEC® KOMBI CLIP REF 14830
1 x Tracheostomy tube

or
LARYNGOTEC® KOMBI CLIP LINGO REF 14820
1 x Tracheostomy tube with sieve-fenestration

When ordering, please state the size after the item number!

TECHNICAL DRAWING



Size	AD1	AD2	ID1	L1 AB	L2 MB	Θ	REF	
	Flange	Tip	AK			BW	KOMBI CLIP LINGO	KOMBI CLIP
7	10.2	10.2	7.2	44.0	38.0	66°	14820-0744	14830-0744
7	10.2	10.2	7.2	62.0	54.0	92°	14820-0762	-
8	11.2	11.2	8.2	44.0	38.0	59°	14820-0844	14830-0844
8	11.2	11.2	8.2	62.0	54.0	82°	14820-0862	14830-0862
9	12.4	12.4	9.4	44.0	36.0	56°	14820-0944	14830-0944
9	12.4	12.4	9.4	62.0	55.0	77°	14820-0962	14830-0962
9	12.4	12.4	9.4	75.0	65.0	93°	-	14830-0975
10	13.4	13.4	10.4	44.0	36.0	49°	14820-1044	14830-1044
10	13.4	13.4	10.4	62.0	55.0	66°	14820-1062	14830-1062
10	13.4	13.4	10.4	85.0	75.0	90°	14820-1085	14830-1085
11	14.4	14.4	11.4	44.0	36.0	48°	14820-1144	14830-1144
11	14.4	14.4	11.4	62.0	55.0	66°	14820-1162	14830-1162
11	14.4	14.4	11.4	87.0	76.0	91°	-	14830-1187
12	15.4	15.4	12.4	44.0	36.0	48°	14820-1244	14830-1244
12	15.4	15.4	12.4	62.0	55.0	66°	14820-1262	14830-1262

CE 0482 STERILE EO

All lengths in mm | AD1 = Outer diameter at the neck flange | AD2 = Outer diameter at cannula tip | ID1 = Inner diameter at the cannula tip of the outer cannula | ID2 = Inner diameter at the cannula tip of the inner cannula | L1 AB = Length over the outer curve | L2 MB = Length over the middle curve | Ø-CD = CUFF diameter | Θ-BW = Bending angle | IC = Inner cannula | AK = Outer cannula

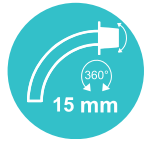
PIKTOGRAMME



UNI

DE
EN
FR
NL
ES
SV

Außenkanüle 15 mm-Konnektor (UNI)
 Outer cannula including 15 mm-connector (UNI)
 Canule externe avec connecteur 15 mm (UNI)
 Buitencanule inclusief 15 mm-connector (UNI)
 Cánula externa con conector de 15 mm (UNI)
 Ytterkanyl inklusive 15 mm anslutning (UNI)



VARIO

DE
EN
FR
NL
ES
SV

Außenkanüle 15 mm-Drehkonnektor (VARIO)
 Outer cannula including 15 mm-swivel connector (VARIO)
 Canule externe avec connecteur rotatif 15 mm (VARIO)
 Buitencanule inclusief 15 mm-swivel-connector (VARIO)
 Cánula externa con conector rotatorio de 15 mm (VARIO)
 Ytterkanyl inklusive 15 mm vridanslutning (VARIO)



KOMBI

DE
EN
FR
NL
ES
SV

Innenkanüle mit 22 mm-Konnektor (KOMBI)
 Inner cannula with 22 mm-connector (KOMBI)
 Canule interne avec connecteur 22 mm (KOMBI)
 Binnencanule met 22 mm-connector (KOMBI)
 Cánula interna con conector de 22 mm (KOMBI)
 Innerkanyl med 22 mm anslutning (KOMBI)



LINGO

DE
EN
FR
NL
ES
SV

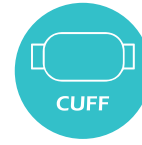
Siebung (LINGO)
 Fenestration (LINGO)
 Perforations (LINGO)
 Zeving (LINGO)
 Perforación (LINGO)
 Filtrering (LINGO)



PHON

DE
EN
FR
NL
ES
SV

Sprechventil (PHON)
 Speaking valve (PHON)
 Valve de phonation (PHON)
 Spreekventiel (PHON)
 Válvula fonatoria (PHON)
 Talventil (PHON)



CUFF

DE
EN
FR
NL
ES
SV

Mit CUFF
 With CUFF
 Avec ballonnet (CUFF)
 Met CUFF
 Con balón (CUFF)
 Med CUFF



SUCTION

DE
EN
FR
NL
ES
SV

Mit Absaugvorrichtung (SUCTION)
 With suction line (SUCTION)
 Avec dispositif d'aspiration (SUCTION)
 Met afzuigkanaal (SUCTION) voor subglottisch afzuigen van secreet boven de cuff
 Con linea de succión (SUCTION)
 Med sugslang (SUCTION)



O₂

DE
EN
FR
NL
ES
SV

Mit einem O₂-Anschluss
 With oxygen support
 Avec raccord O₂
 Met zuurstofaansluiting (O₂-support)
 Con puerto de oxígeno
 Med O₂-anslutning



MRT

DE
EN
FR
NL
ES
SV

MRT geeignet
 MRT suitable
 IRM-compatible
 Geschikt voor MRT
 Compatible con resonancia Magnética
 MR-kompatibel