

SILVERVENT® UNI

1 ICU / 1 IC + 1 ICU

FAHL



REF 10500

REF 10502



- ▶ Tracheostomy tube made of sterling silver (92.5 % pure silver) for long-term use
- ▶ With one inner cannula (REF 10500):
 - an inner cannula with 15 mm (UNI) connector (ICU)
- ▶ With two inner cannulas (REF 10502):
 - an inner cannula with flat profile (IC)
 - an inner cannula with 15 mm (UNI) connector (ICU)
- ▶ Very thin wall thickness
- ▶ Wide range of sizes: from size 0 to size 13
- ▶ Can be tailor-made to customer requirements (length, sieve, window)

Accessories such as HME filters, speaking valves, base plates, tracheal compresses, tracheostoma protection as well as aids for tracheal suction are described in detail on the web page www.fahl.de.

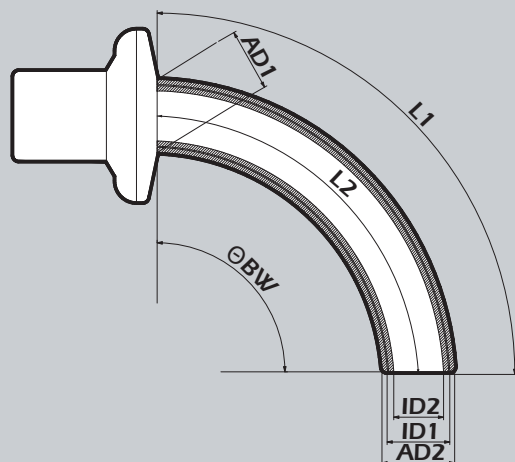
SCOPE OF DELIVERY

- ▶ Including tube holder and a product ID card
- ▶ Manual

| | |
|--|------------------|
| SILVERVENT® UNI, 1 ICU | REF 10500 |
| 1 x Tracheostomy tube | |
| 1 x inner cannula with 15 mm connector (ICU) | |
| or | |
| SILVERVENT® UNI, 1 IC + 1 ICU | REF 10502 |
| 1 x Tracheostomy tube | |
| 1 x inner cannula (IC) | |
| 1 x inner cannula with 15 mm connector (ICU) | |

When ordering, please state the size after the item number!

TECHNICAL DRAWING



CE 0482

| SIZE | AD1 | AD2 | ID1 | ID2 | L1 | L2 | Θ-BW | REF | REF |
|------|------|------|------|------|------|------|------|----------|----------|
| 00 | 6,1 | 4,5 | 3,7 | 2,6 | 50,0 | 45,0 | 90° | 10500-00 | 10502-00 |
| 01 | 6,4 | 5,0 | 4,2 | 3,1 | 50,0 | 45,0 | 90° | 10500-01 | 10502-01 |
| 02 | 6,8 | 5,7 | 4,9 | 3,8 | 50,0 | 45,0 | 90° | 10500-02 | 10502-02 |
| 03 | 7,5 | 6,4 | 5,6 | 4,6 | 55,0 | 49,0 | 90° | 10500-03 | 10502-03 |
| 04 | 8,2 | 7,0 | 6,2 | 5,2 | 55,0 | 49,0 | 90° | 10500-04 | 10502-04 |
| 05 | 9,1 | 7,7 | 6,9 | 5,9 | 60,0 | 53,0 | 90° | 10500-05 | 10502-05 |
| 06 | 9,8 | 8,4 | 7,6 | 6,5 | 60,0 | 53,0 | 90° | 10500-06 | 10502-06 |
| 07 | 10,9 | 9,0 | 8,2 | 7,1 | 65,0 | 58,0 | 90° | 10500-07 | 10502-07 |
| 08 | 11,6 | 9,7 | 8,9 | 7,7 | 70,0 | 60,0 | 90° | 10500-08 | 10502-08 |
| 09 | 12,3 | 10,4 | 9,6 | 8,7 | 75,0 | 65,0 | 90° | 10500-09 | 10502-09 |
| 10 | 13,2 | 11,0 | 10,2 | 9,3 | 80,0 | 68,0 | 90° | 10500-10 | 10502-10 |
| 11 | 13,8 | 11,7 | 10,9 | 10,0 | 90,0 | 77,0 | 90° | 10500-11 | 10502-11 |
| 12 | 14,6 | 12,4 | 11,6 | 10,6 | 90,0 | 77,0 | 90° | 10500-12 | 10502-12 |
| 13 | 15,0 | 13,0 | 12,2 | 11,3 | 90,0 | 77,0 | 90° | 10500-13 | 10502-13 |

All lengths in mm | AD1 = Outer diameter at the neck flange | AD2 = Outer diameter at cannula tip | ID1 = Inner diameter at the cannula tip of the outer cannula | ID2 = Inner diameter at the cannula tip of the inner cannula | L1 = Length over the outer curve | L2 = Length over the middle curve | Ø-CD = CUFF diameter | Θ-BW = Bending angle | IC = Inner cannula | AK = Outer cannula

PIKTOGRAMME



UNI

| | |
|-----------|---|
| DE | Außenkanüle 15 mm-Konnektor (UNI) |
| EN | Outer cannula including 15 mm-connector (UNI) |
| FR | Canule externe avec connecteur 15 mm (UNI) |
| NL | Buitencanule inclusief 15 mm-connector (UNI) |
| ES | Cánula externa con conector de 15 mm (UNI) |
| SV | Ytterkanyl inklusive 15 mm anslutning (UNI) |



VARIO

| | |
|-----------|--|
| DE | Außenkanüle 15 mm-Drehkonnektor (VARIO) |
| EN | Outer cannula including 15 mm-swivel connector (VARIO) |
| FR | Canule externe avec connecteur rotatif 15 mm (VARIO) |
| NL | Buitencanule inclusief 15 mm-swivel-connector (VARIO) |
| ES | Cánula externa con conector rotatorio de 15 mm (VARIO) |
| SV | Ytterkanyl inklusive 15 mm vridanslutning (VARIO) |



KOMBI

| | |
|-----------|--|
| DE | Innenkanüle mit 22 mm-Konnektor (KOMBI) |
| EN | Inner cannula with 22 mm-connector (KOMBI) |
| FR | Canule interne avec connecteur 22 mm (KOMBI) |
| NL | Binnencanule met 22 mm-connector (KOMBI) |
| ES | Cánula interna con conector de 22 mm (KOMBI) |
| SV | Innerkanyl med 22 mm anslutning (KOMBI) |



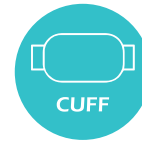
LINGO

| | |
|-----------|--|
| DE | Mehrere kleine Löcher in einer bestimmten Anordnung, das sogenannte „Sieb“ (LINGO) |
| EN | Several small holes in a specific arrangement in the center of the tube, is referred to as „sieve“ (LINGO) |
| FR | Plusieurs petits trous disposés d'une certaine manière et appelés « perforations » (LINGO) |
| NL | Meerdere kleine zeef-gaatjes in een specifieke rangschikking in het midden van de buitencanule, de zogenoemde `zeef` (LINGO) |
| ES | Perforaciones de pequeño tamaño con una disposición específica en el centro del tubo; fenestración en tamiz (LINGO) |
| SV | Flera små hål i en specifik ordning, ett så kallad sil (LINGO) |



PHON

| | |
|-----------|----------------------------|
| DE | Sprechventil (PHON) |
| EN | Speaking valve (PHON) |
| FR | Valve de phonation (PHON) |
| NL | Spreekventiel (PHON) |
| ES | Válvula fonatoria (PHON) |
| SV | Talventil (PHON) |



CUFF

| | |
|-----------|-----------------------|
| DE | Mit CUFF |
| EN | With CUFF |
| FR | Avec ballonnet (CUFF) |
| NL | Met CUFF |
| ES | Con balón (CUFF) |
| SV | Med CUFF |



SUCTION

| | |
|-----------|--|
| DE | Mit Absaugvorrichtung (SUCTION) |
| EN | With suction line (SUCTION) |
| FR | Avec dispositif d'aspiration (SUCTION) |
| NL | Met afzuigkanaal (SUCTION) voor subglottisch afzuigen van secret boven de cuff |
| ES | Con línea de succión (SUCTION) |
| SV | Med sugslang (SUCTION) |

O₂

| | |
|-----------|---|
| DE | Mit einem O₂-Anschluss |
| EN | With oxygen support |
| FR | Avec raccord O ₂ |
| NL | Met zuurstofaansluiting (O ₂ -support) |
| ES | Con puerto de oxígeno |
| SV | Med O ₂ -anslutning |